

RESPA[®]-FFX2

Ultra High Efficiency HVAC Filtration



- **Recommended Recirculation Solution when you can plumb into the HVAC mixing plenum.**
- **Complies with OSHA Silica rule:**
 - MERV16 or better Recirculation Filtration
 - Settled Dust Removal
- **Flange and Base mounting options to suit your cab.**

**RESPA[®] Revolution:
The Next Generation**

Table of Contents

Page:	Topic:
02	Product Overview
03	Part Numbers and Configurations
05	Systems with Integrated Footed Base Bracket (FFX2501-FFX2516)
13	Systems with Integrated Flange Bracket (FFX2517-FFX2532)
21	Service Parts Diagrams
23	Filter Change Instructions

Release Date:
September 26, 2016

SY-KLONE[®]
INTERNATIONAL

Ultra High Efficiency HVAC FILTRATION for Cab Air Quality Systems

*Tired of dust in your cab? Odors making you sick? Dust related HVAC failures?
Take care of your lungs and your HVAC with RESPA®.*

BENEFITS:

PURIFY the air in the cabin or enclosure.

PROTECT operator health and cab electronics.

PREVENT HVAC repairs.

SELF-CLEANING high tech filter media releases dirt.

LOW RESTRICTION

FILTER OPTIONS

- MERV 16 (F9)
- HEPA (H-13)

CONFIGURATION CHOICES:

Fresh or Recirculation Airflow Choices:

Allows you to put inlets and outlet where they best suit your application.

Integrated Mounting Brackets:

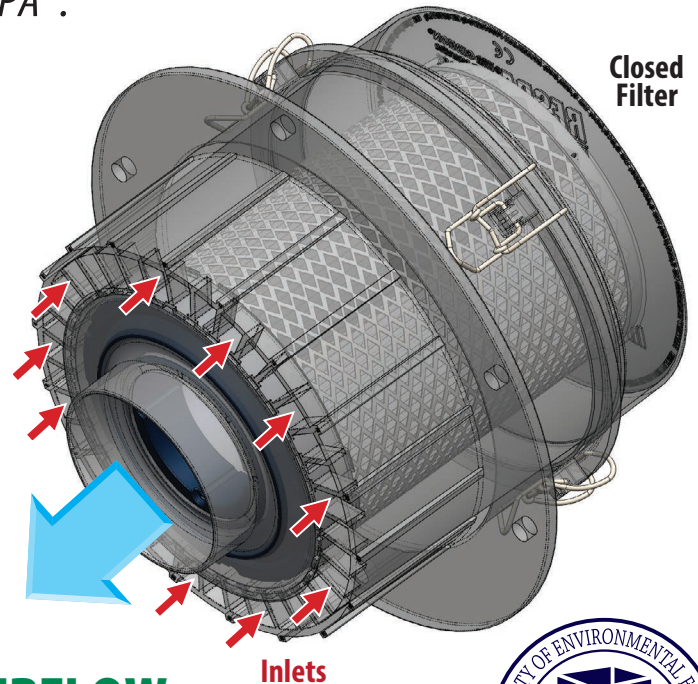
No extra parts to buy; Choice of Base Mount or Flange Mount.

Straight or 90° Elbow Outlet:

Integrated 90 Degree elbow adapter can be adjusted in 10 degree increments.

Choice of Outlet Diameter:

3 or 4 inches.

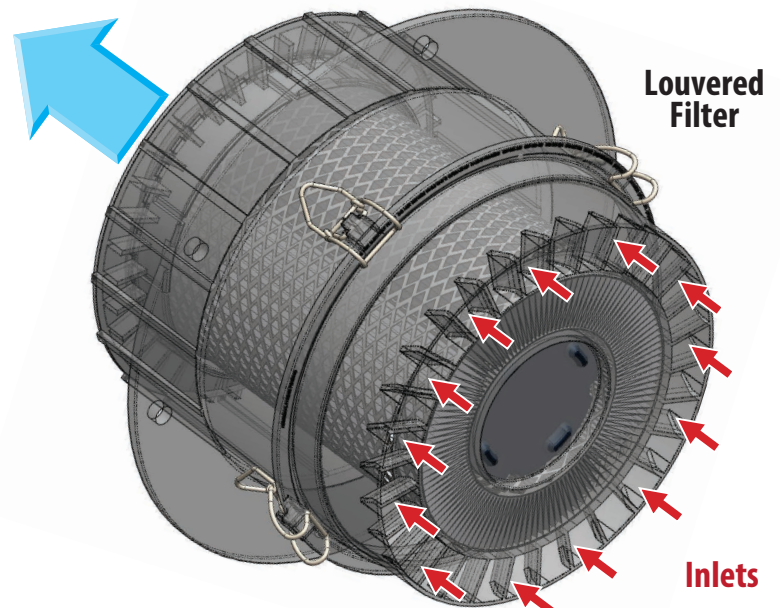


AIRFLOW CHOICES:

Louvered inlets can be positioned on the filter cap or outlet end of unit.



Endorsed by ISEEE as a
BEST PRACTICE COMPONENT



RESPA®-FFX2 Systems: Footed Base Mount Units

Part Number	Filter Rating	Use with HVAC Blower ¹ Up to:	Filter Part Number	Outlet		Inlet Location (Filter Cap Type)		Mounting Type		Outlet Shape	
				3 inch	4 inch	Closed Filter Cap (Louvers at Outlet End)	Louvered Filter Cap	Base with Clocked Bracket	Flange Bracket	Straight	90° Elbow
FFX2501	MERV 16/F9	400 CFM	FEFF111	•		•		•		•	
FFX2502	HEPA	300 CFM	FEFF110								
FFX2503	MERV 16/F9	400 CFM	FEFF111		•	•		•		•	
FFX2504	HEPA	300 CFM	FEFF110								
FFX2505	MERV 16/F9	300 CFM	FEFF111	•		•		•			•
FFX2506	HEPA	200 CFM	FEFF110								
FFX2507	MERV 16/F9	400 CFM	FEFF111		•	•		•			•
FFX2508	HEPA	300 CFM	FEFF110								
FFX2509	MERV 16/F9	400 CFM	FEFF120	•			•	•		•	
FFX2510	HEPA	300 CFM	FEFF122								
FFX2511	MERV 16/F9	400 CFM	FEFF120		•		•	•		•	
FFX2512	HEPA	300 CFM	FEFF122								
FFX2513	MERV 16/F9	300 CFM	FEFF120	•			•	•			•
FFX2514	HEPA	250 CFM	FEFF122								
FFX2515	MERV 16/F9	400 CFM	FEFF120		•		•	•			•
FFX2516	HEPA	250 CFM	FEFF122								



Base Bracket

Closed Filter

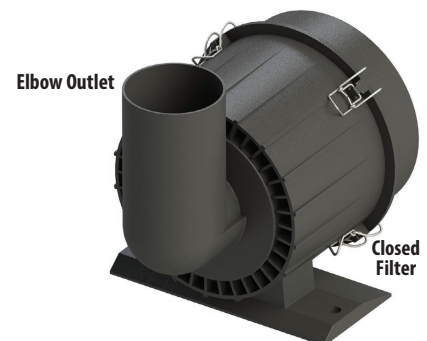
Straight or 90° Elbow Outlet

Elbow can be adjusted in 10° increments.

Choice of Inlet Location

Louvered Filter units have inlets and outlet on opposite sides.

Closed Filter units have inlets and outlet on same side.

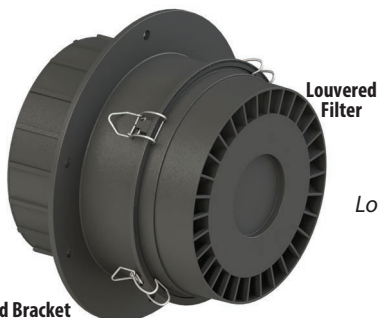


Elbow Outlet

Closed Filter

RESPA®-FFX2 Systems: Flange Mount Units

Part Number	Filter Rating	Use with HVAC Blower ¹ Up to:	Filter Part Number	Outlet		Inlet Location (Filter Cap Type)		Mounting Type		Outlet Shape	
				3 inch	4 inch	Closed Filter Cap (Louvers at Outlet End)	Louvered Filter Cap	Base with Clocked Bracket	Flange Bracket	Straight	90° Elbow
FFX2517	MERV 16/F9	400 CFM	FEFF111	•		•			•	•	
FFX2518	HEPA	300 CFM	FEFF110	•		•			•	•	
FFX2519	MERV 16/F9	400 CFM	FEFF111		•	•			•	•	
FFX2520	HEPA	300 CFM	FEFF110		•	•			•	•	
FFX2521	MERV 16/F9	300 CFM	FEFF111	•		•			•		•
FFX2522	HEPA	200 CFM	FEFF110	•		•			•		•
FFX2523	MERV 16/F9	400 CFM	FEFF111		•	•			•		•
FFX2524	HEPA	300 CFM	FEFF110		•	•			•		•
FFX2525	MERV 16/F9	400 CFM	FEFF120	•			•		•	•	
FFX2526	HEPA	300 CFM	FEFF122	•			•		•	•	
FFX2527	MERV 16/F9	400 CFM	FEFF120		•		•		•	•	
FFX2528	HEPA	300 CFM	FEFF122		•		•		•	•	
FFX2529	MERV 16/F9	300 CFM	FEFF120	•			•		•		•
FFX2530	HEPA	250 CFM	FEFF122	•			•		•		•
FFX2531	MERV 16/F9	400 CFM	FEFF120		•		•		•		•
FFX2532	HEPA	250 CFM	FEFF122		•		•		•		•



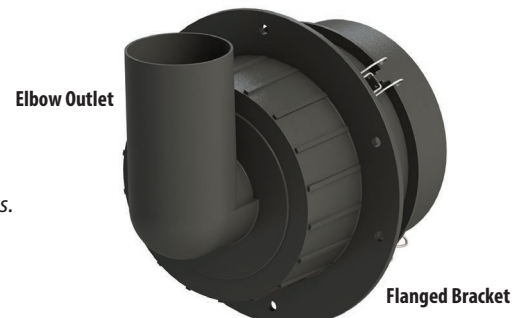
Straight or 90° Elbow Outlet

Elbow can be adjusted in 10° increments.

Choice of Inlet Location

Louvered Filter units have inlets and outlet on opposite sides.

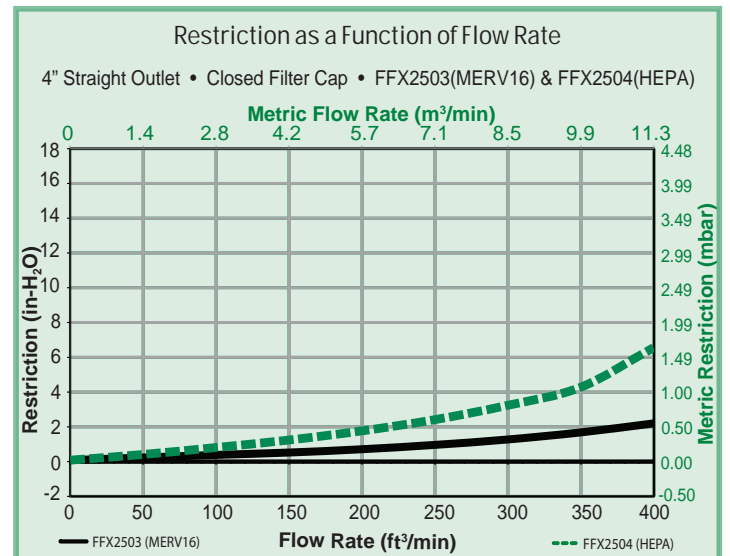
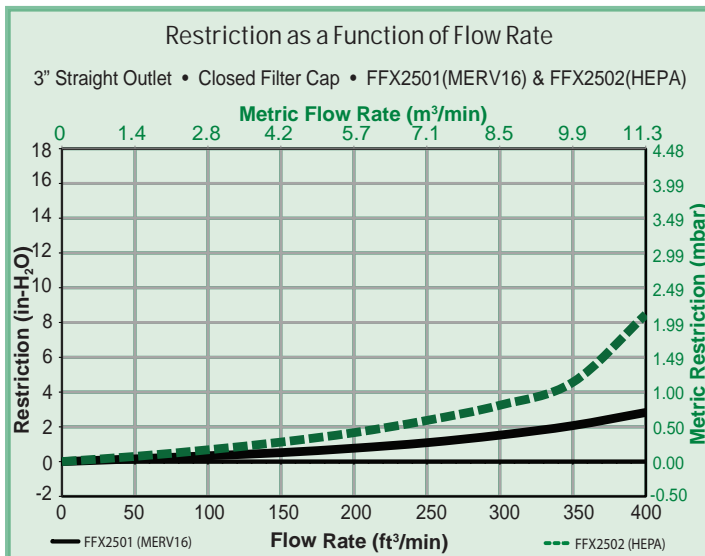
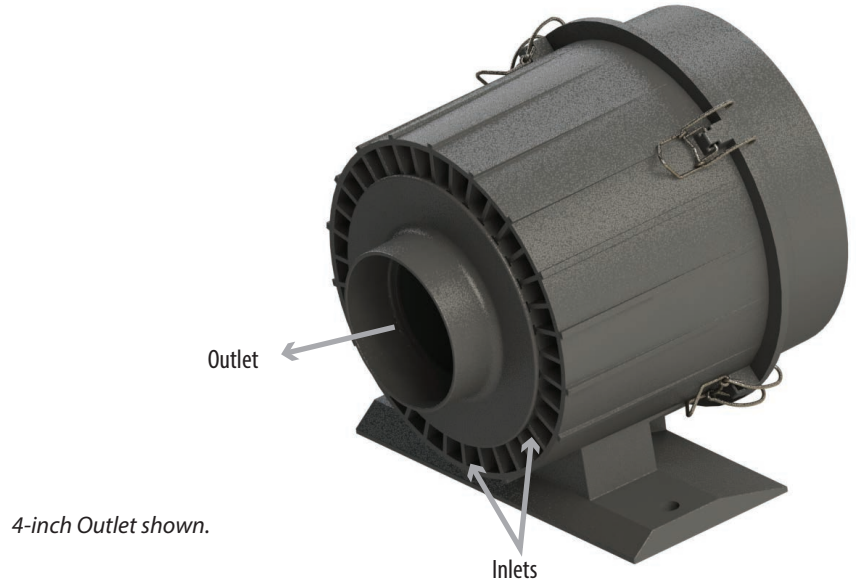
Closed Filter units have inlets and outlet on same side.



RESPA® FFX2 Systems • Integrated Base Bracket; Straight Outlet; Closed Filter Cap.

Part Number	Outlet Diameter (OD)	Weight		Dimensions (IN, MM)			Filter Part Number	Filter Type (MERV16/HEPA)
		LBS	KG	Length*	Width	Height		
FFX2501	3 in. 76.2mm	3.2	1.45	10in 254mm	10in 254mm	10in 254mm	FEFF111	MERV16
FFX2502	3 in. 76.2mm	3.2	1.45	10in 254mm	10in 254mm	10in 254mm	FEFF110	HEPA
FFX2503	4 in. 101.6mm	3.2	1.45	10in 254mm	10in 254mm	10in 254mm	FEFF111	MERV16
FFX2504	4 in. 101.6mm	3.2	1.45	10in 254mm	10in 254mm	10in 254mm	FEFF110	HEPA

*Additional 7.5 inches (191 mm) required for filter removal.



SCFM Airflow at 2" of Restriction:
FFX2501: 342 SCFM
FFX2502: 225 SCFM

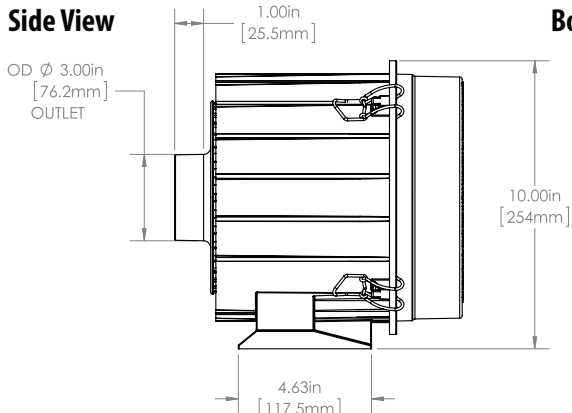
SCFM Airflow at 4" of Restriction:
FFX2501: 425 SCFM
FFX2502: 338 SCFM

SCFM Airflow at 2" of Restriction:
FFX2503: 390 SCFM
FFX2504: 225 SCFM

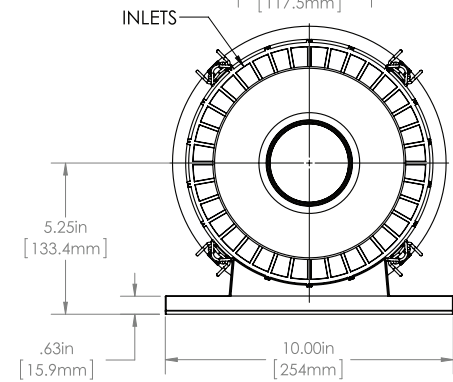
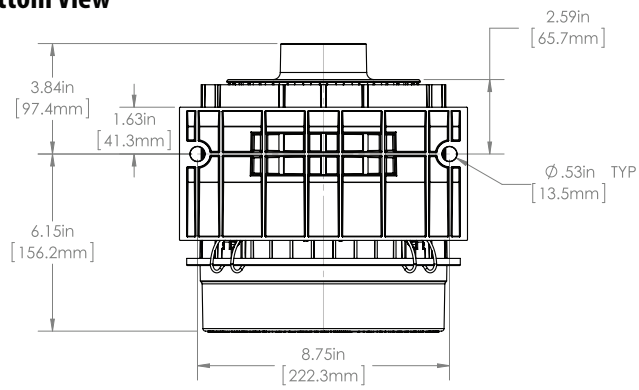
SCFM Airflow at 4" of Restriction:
FFX2503: 470 SCFM
FFX2504: 344 SCFM

RESPA[®] FFX2 Systems • Integrated Base Bracket; Straight Outlet; Closed Filter Cap.
FFX2501 & FFX2502 • 3-inch Outlet

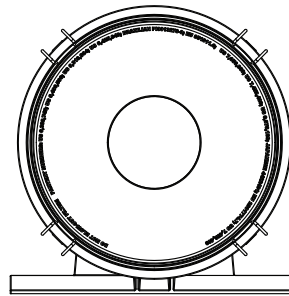
Side View



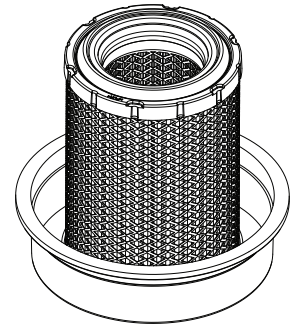
Bottom View



End Views

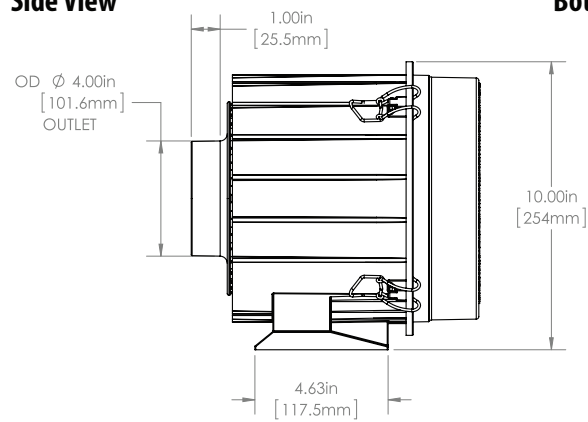


**FEFF111 or FEFF110
Closed Filter**

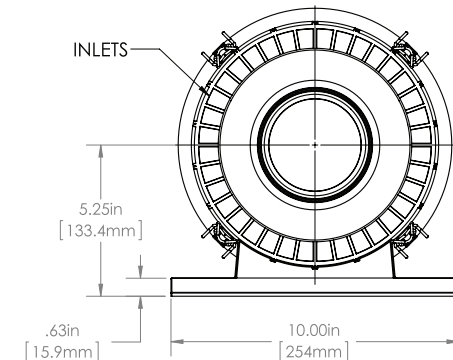
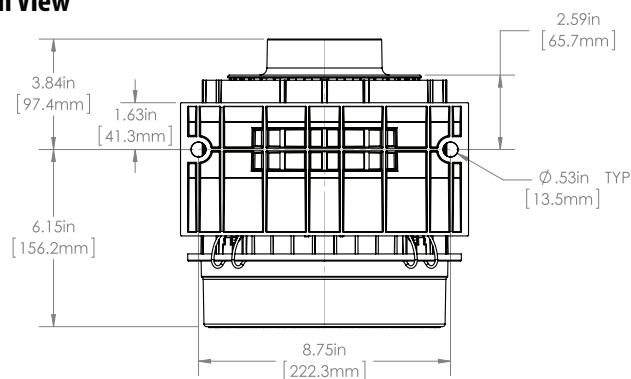


FFX2503 & FFX2504 • 4-inch Outlet

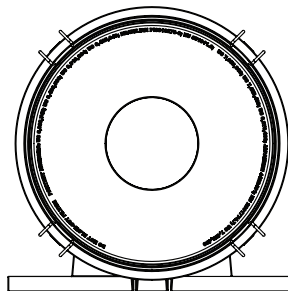
Side View



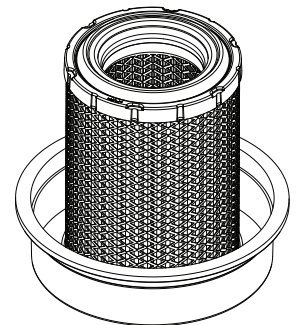
Bottom View



End Views



**FEFF111 or FEFF110
Closed Filter**



RESPA® FFX2 Systems • Integrated Base Bracket; 90° Elbow Outlet; Closed Filter Cap.

Part Number	Outlet Diameter (OD)	Weight		Dimensions (IN, MM)			Filter Part Number	Filter Type (MERV16/HEPA)
		LBS	KG	Length*	Width	Height		
FFX2505	3 in. 76.2mm	3.5	1.59	11.7in 297.2mm	10in 254mm	11.3in 287mm	FEFF111	MERV16
FFX2506	3 in. 76.2mm	3.5	1.59	11.7in 297.2mm	10in 254mm	11.3in 287mm	FEFF110	HEPA
FFX2507	4 in. 101.6mm	3.7	1.68	12.7in 322.6mm	10in 254mm	11.3in 287mm	FEFF111	MERV16
FFX2508	4 in. 101.6mm	3.7	1.68	12.7in 322.6mm	10in 254mm	11.3in 287mm	FEFF110	HEPA

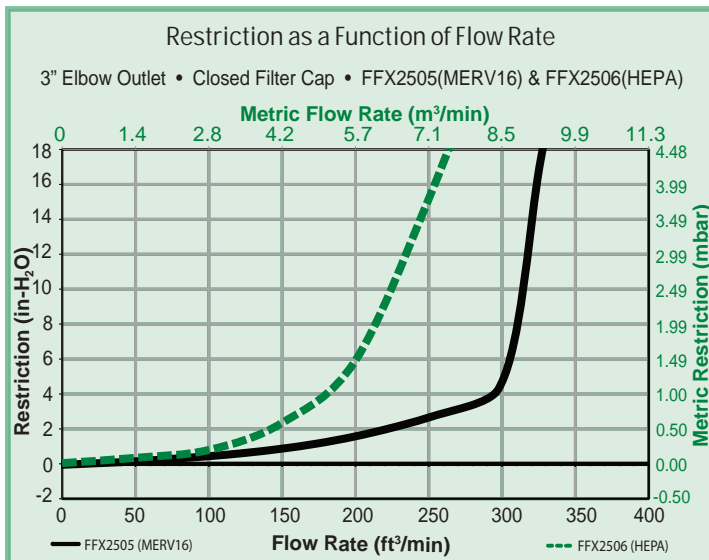
*Additional 7.5 inches (191 mm) required for filter removal.



Closed Filter Cap

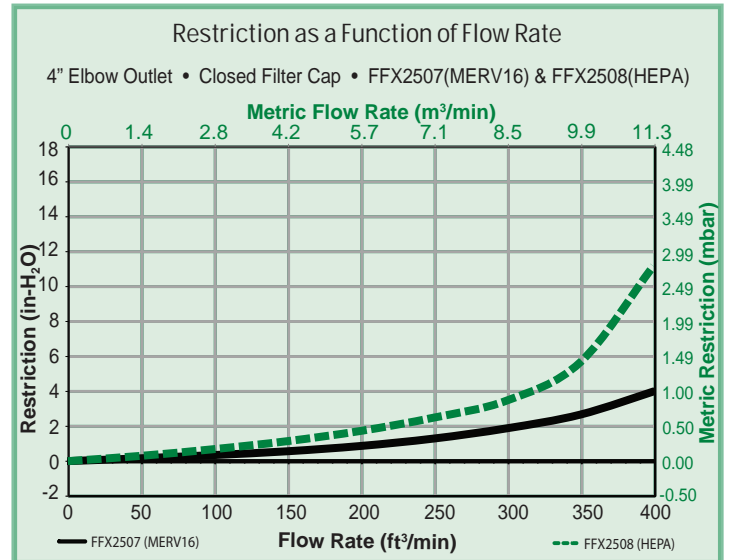


4-inch Outlet shown.



SCFM Airflow at 2" of Restriction:
FFX2505: 220 SCFM
FFX2506: 140 SCFM

SCFM Airflow at 4" of Restriction:
FFX2505: 295 SCFM
FFX2506: 182 SCFM



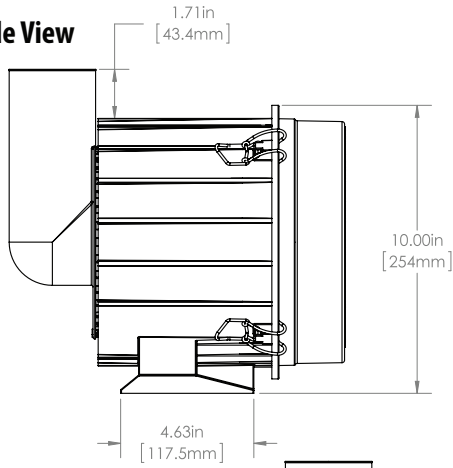
SCFM Airflow at 2" of Restriction:
FFX2507: 310 SCFM
FFX2508: 220 SCFM

SCFM Airflow at 4" of Restriction:
FFX2507: 400 SCFM
FFX2508: 318 SCFM

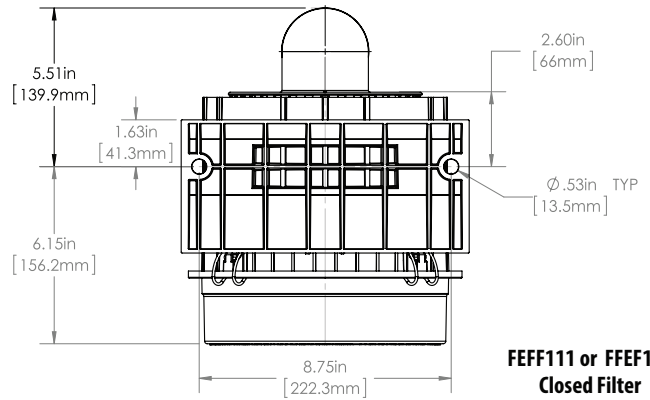
RESPA[®] FFX2 Systems • Integrated Base Bracket; 90° Elbow Outlet; Closed Filter Cap.

FFX2505 & FFX2506 • 3-inch Outlet

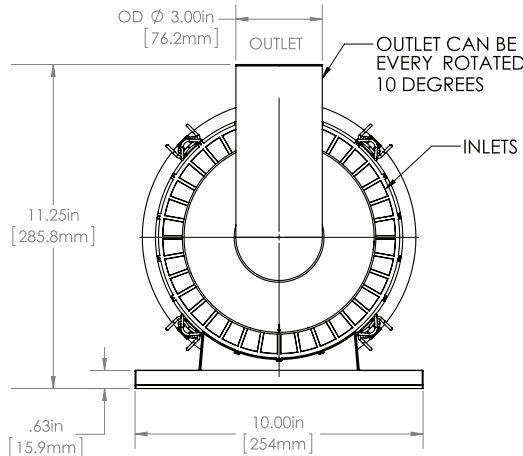
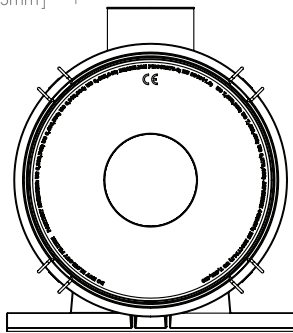
Side View



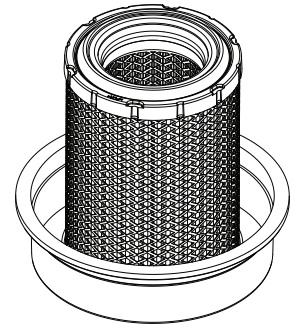
Bottom View



End Views

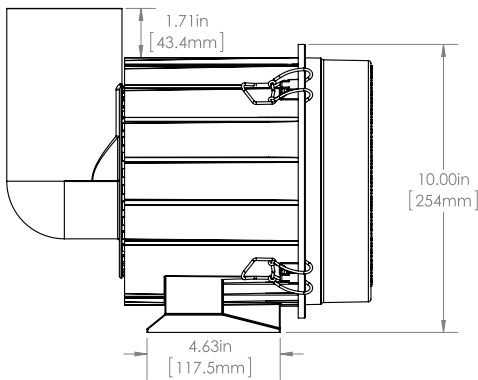


FEFF111 or FFEF110
Closed Filter

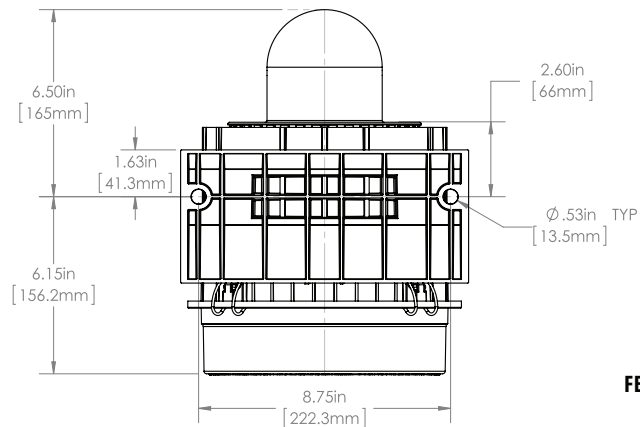


FFX2507 & FFX2508 • 4-inch Outlet

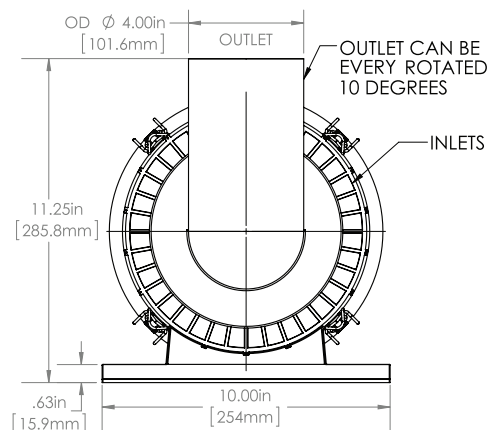
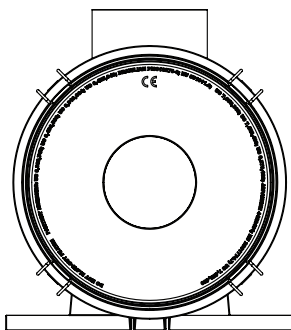
Side View



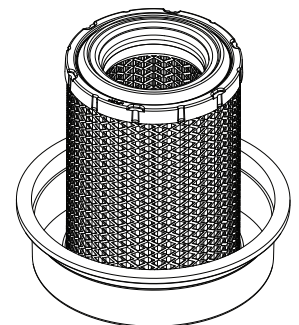
Bottom View



End Views



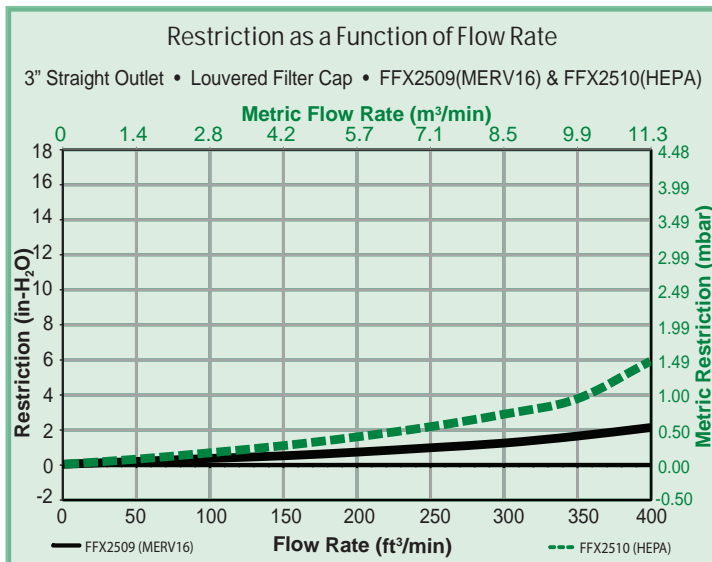
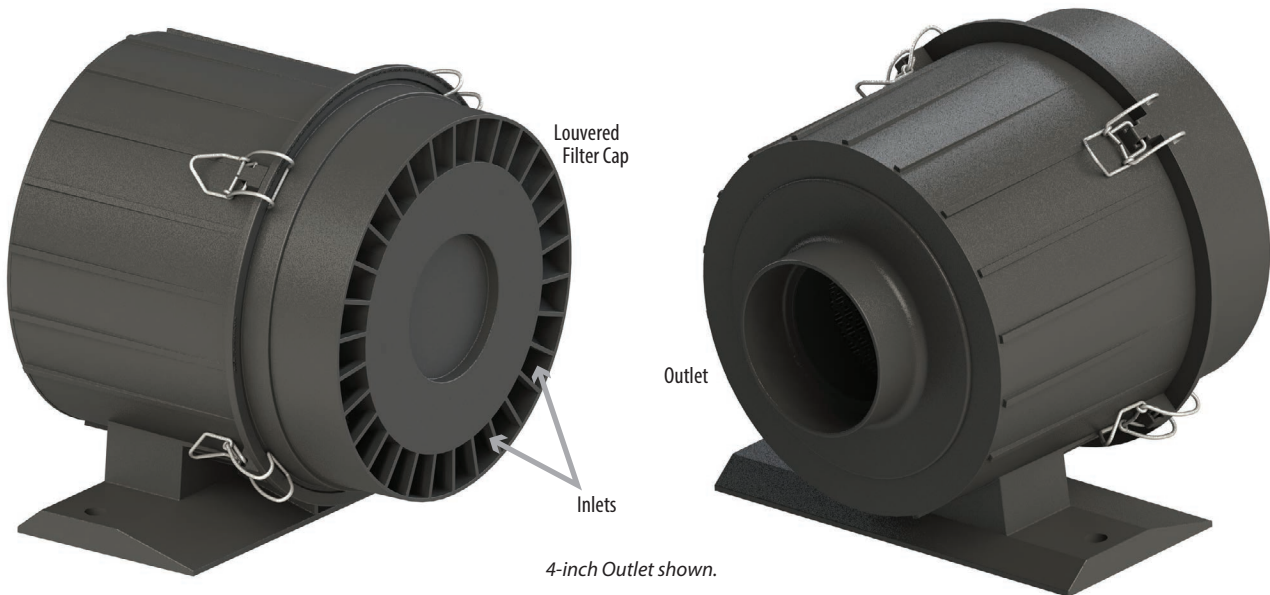
FEFF111 or FFEF110
Closed Filter



RESPA[®] FFX2 Systems • Integrated Base Bracket; Straight Outlet; Louvered Filter Cap.

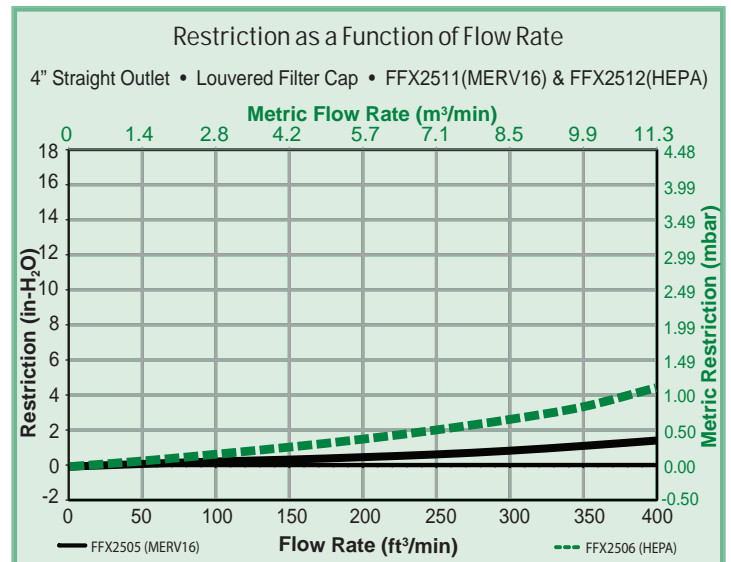
Part Number	Outlet Diameter (OD)	Weight		Dimensions (IN, MM)			Filter Part Number	Filter Type (MERV16/HEPA)
		LBS	KG	Length*	Width	Height		
FFX2509	3 in. 76.2mm	3.2	1.46	10in 254mm	10in 254mm	10in 254mm	FEFF120	MERV16
FFX2510	3 in. 76.2mm	3.2	1.46	10in 254mm	10in 254mm	10in 254mm	FEFF122	HEPA
FFX2511	4 in. 101.6mm	3.3	1.5	10in 254mm	10in 254mm	10in 254mm	FEFF120	MERV16
FFX2512	4 in. 101.6mm	3.3	1.5	10in 254mm	10in 254mm	10in 254mm	FEFF122	HEPA

*Additional 7.5 inches (191 mm) required for filter removal.



SCFM Airflow at 2" of Restriction:
FFX2509: 400 SCFM
FFX2510: 237 SCFM

SCFM Airflow at 4" of Restriction:
FFX2509: 475 SCFM
FFX2510: 355 SCFM

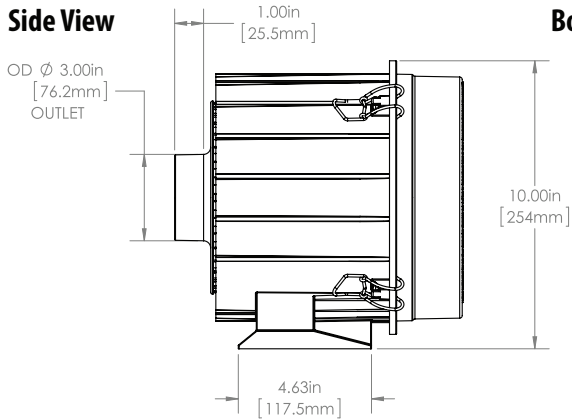


SCFM Airflow at 2" of Restriction:
FFX2511: 420 SCFM
FFX2512: 240 SCFM

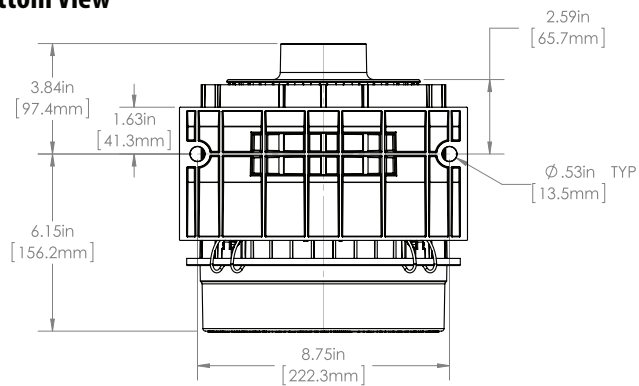
SCFM Airflow at 4" of Restriction:
FFX2511: 480 SCFM
FFX2512: 375 SCFM

RESPA® FFX2 Systems • Integrated Base Bracket; Straight Outlet; Louvered Filter Cap.
FFX2509 or FFX2510 • 3-inch Outlet

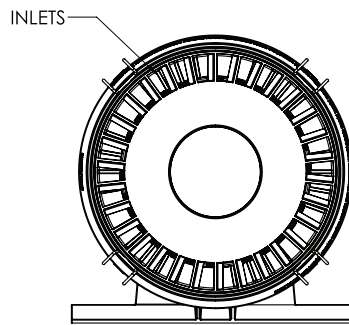
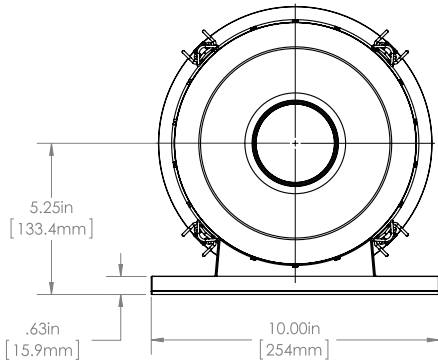
Side View



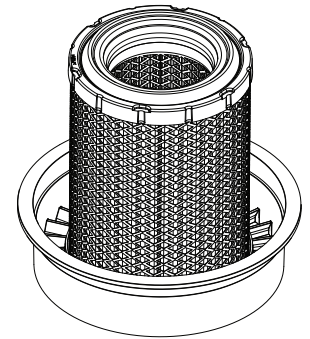
Bottom View



End Views

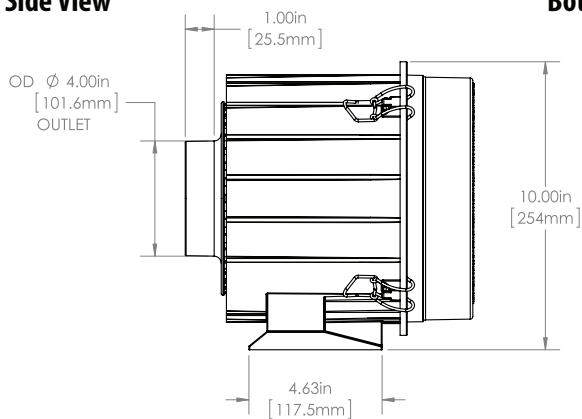


**FFEF120 or FFEF122
Louvered Filter**

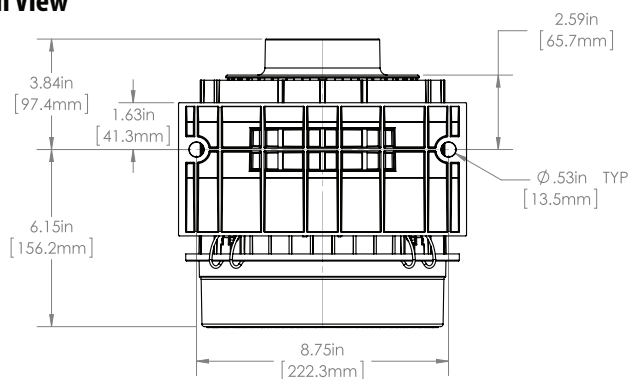


FFX2511 or FFX2512 • 4-inch Outlet

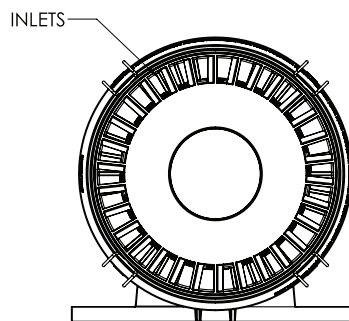
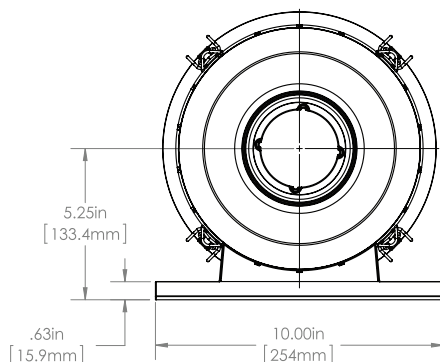
Side View



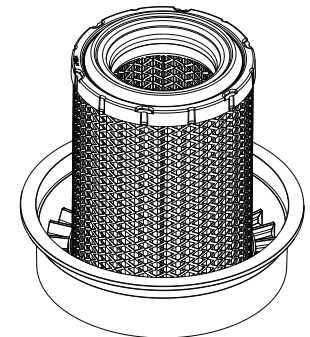
Bottom View



End Views



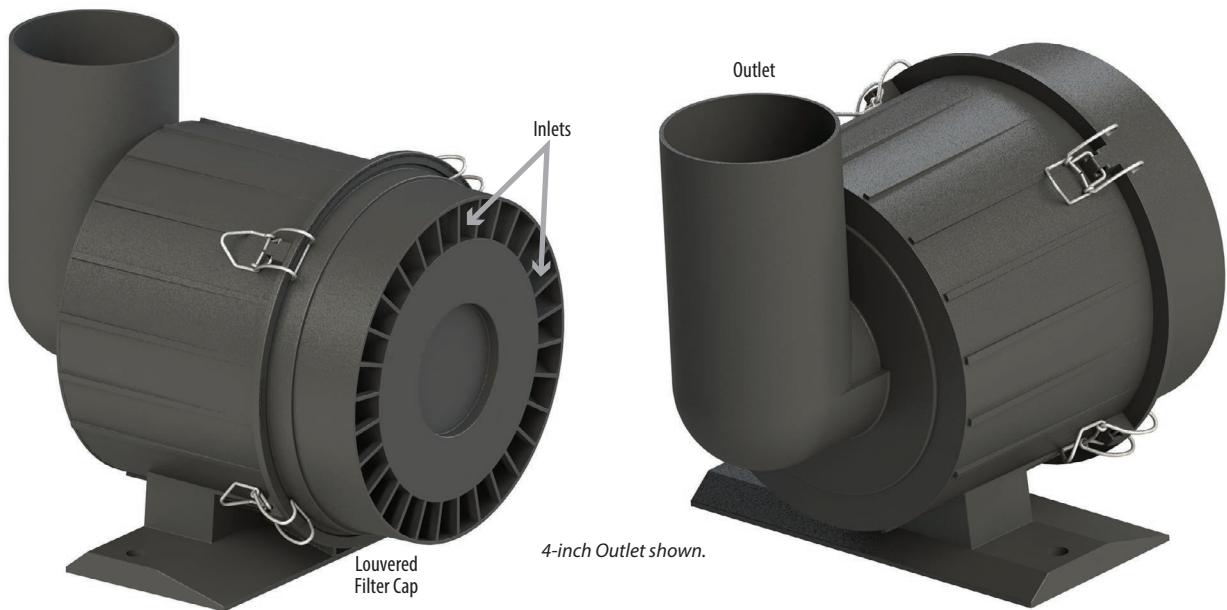
**FFEF120 or FFEF122
Louvered Filter**



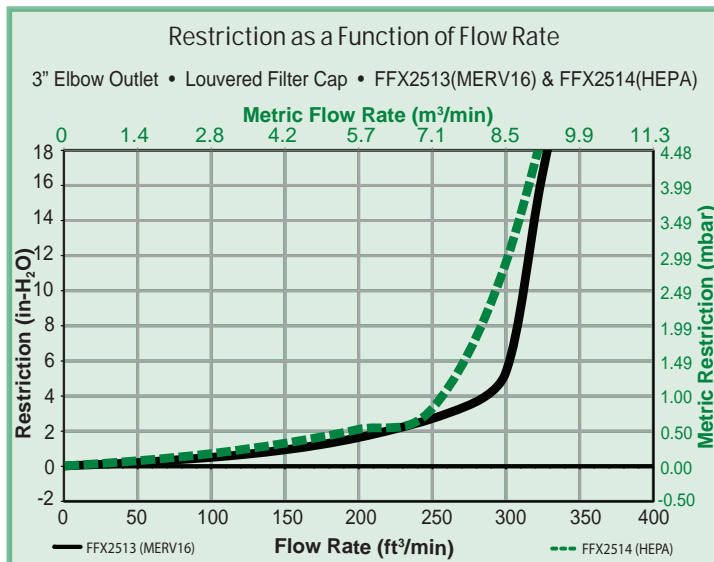
RESPA® FFX2 Systems • Integrated Base Bracket; 90° Elbow Outlet; Louvered Filter Cap.

Part Number	Outlet Diameter (OD)	Weight		Dimensions (IN, MM)			Filter Part Number	Filter Type (MERV16/HEPA)
		LBS	KG	Length*	Width	Height		
FFX2513	3 in. 76.2mm	3.5	1.59	11.7in 297.2mm	10in 254mm	11.3in 287mm	FEFF120	MERV16
FFX2514	3 in. 76.2mm	3.5	1.59	11.7in 297.2mm	10in 254mm	11.3in 287mm	FEFF122	HEPA
FFX2515	4 in. 101.6mm	3.7	1.68	12.7in 322.6mm	10in 254mm	11.3in 287mm	FEFF120	MERV16
FFX2516	4 in. 101.6mm	3.7	1.68	12.7in 322.6mm	10in 254mm	11.3in 287mm	FEFF122	HEPA

*Additional 7.5 inches (191 mm) required for filter removal.

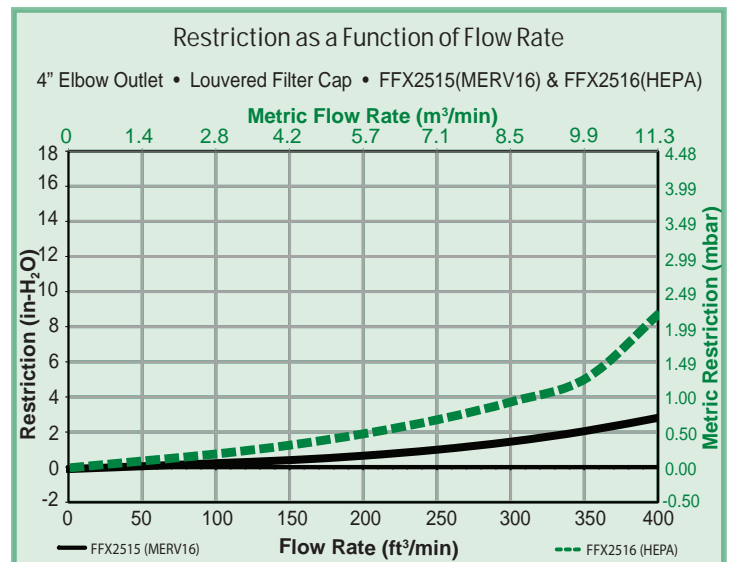


4-inch Outlet shown.



SCFM Airflow at 2" of Restriction:
FFX2513: 230 SCFM
FFX2514: 195 SCFM

SCFM Airflow at 4" of Restriction:
FFX2513: 300 SCFM
FFX2514: 257 SCFM



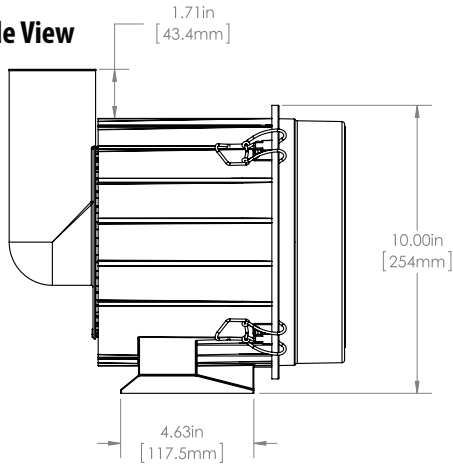
SCFM Airflow at 2" of Restriction:
FFX2515: 338 SCFM
FFX2516: 200 SCFM

SCFM Airflow at 4" of Restriction:
FFX2515: 420 SCFM
FFX2516: 310 SCFM

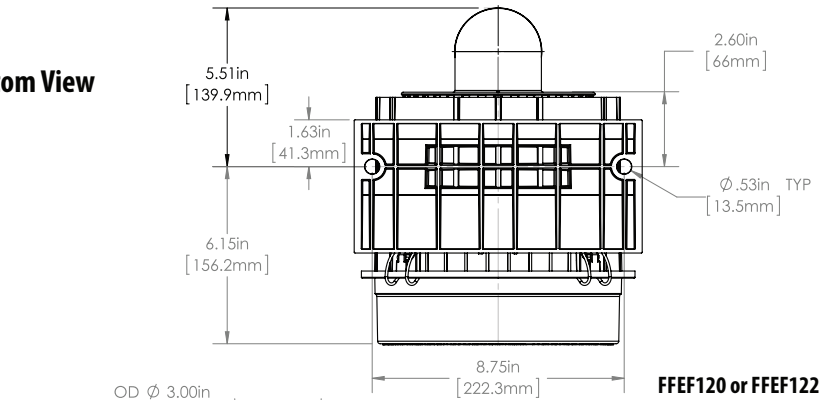
RESPA[®] FFX2 Systems • Integrated Base Bracket; 90° Elbow Outlet; Closed Filter Cap.

FFX2513 or FFX2514 • 3-inch Outlet

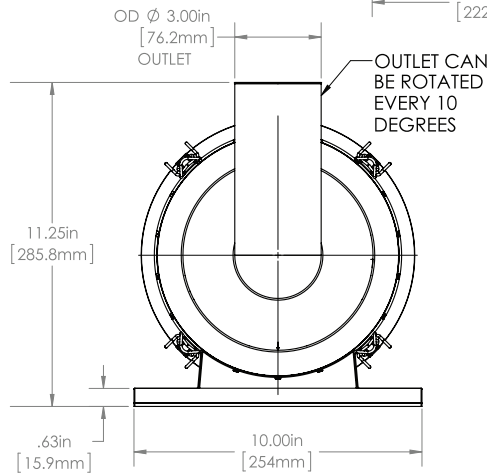
Side View



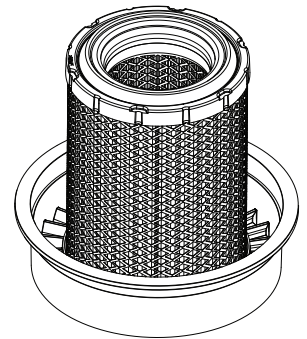
Bottom View



End Views

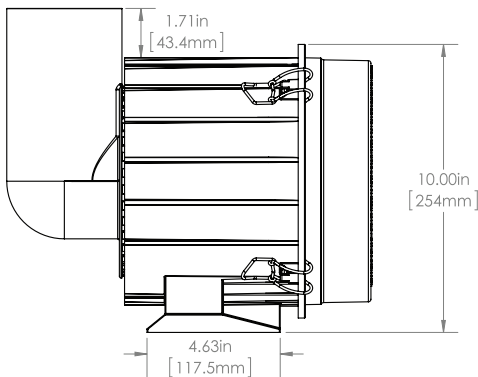


**FFEF120 or FFEF122
Louvered Filter**

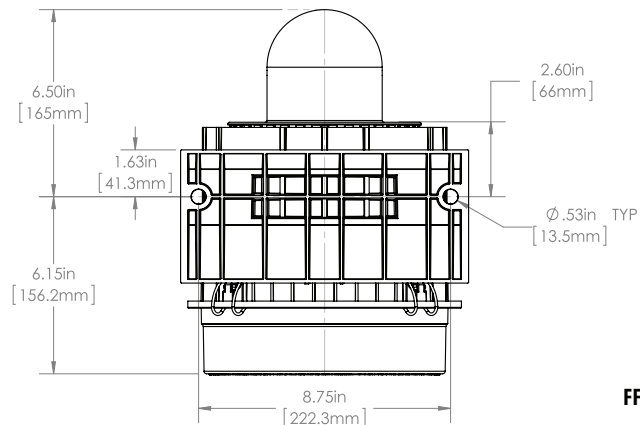


FFX2515 or FFX2516 • 4-inch Outlet

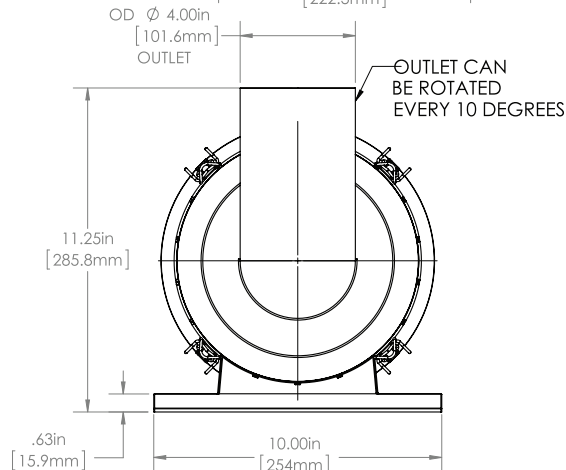
Side View



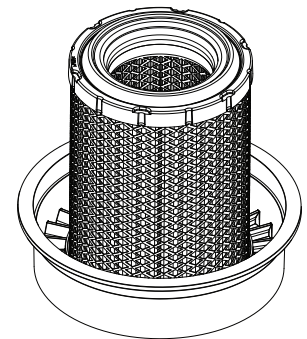
Bottom View



End Views



**FFEF120 or FFEF122
Louvered Filter**



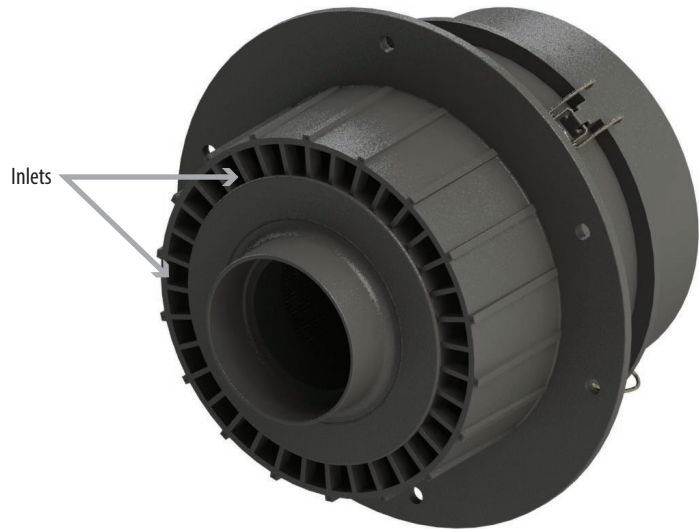
RESPA® FFX2 Systems • Flanged Bracket; Straight Outlet; Closed Filter Cap.

Part Number	Outlet Diameter (OD)	Unit Weight		Unit Dimensions (IN, MM)			Filter Part Number	Filter Type
		LBS	KG	Length	Width	Height		
FFX2517	3 in. 76.2mm	3.4	1.54	10in 254mm	12in 304.8mm	12in 304.8mm	FEFF111	MERV16
FFX2518	3 in. 76.2mm	3.4	1.54	10in 254mm	12in 304.8mm	12in 304.8mm	FEFF110	HEPA
FFX2519	4 in. 101.6mm	3.4	1.54	10in 254mm	12in 304.8mm	12in 304.8mm	FEFF111	MERV16
FFX2520	4 in. 101.6mm	3.4	1.54	10in 254mm	12in 304.8mm	12in 304.8mm	FEFF110	HEPA

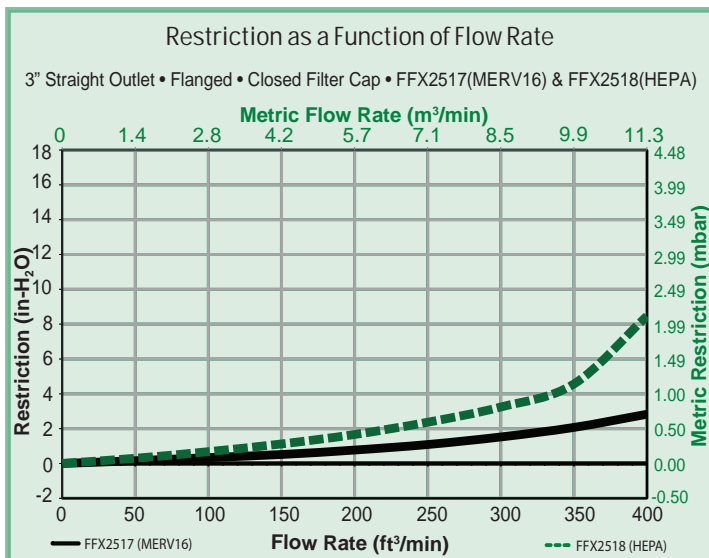
*Additional 7.5 inches (191 mm) required for filter removal. **8.75" (222.3mm) diameter hole for mounting.



Closed Filter Cap

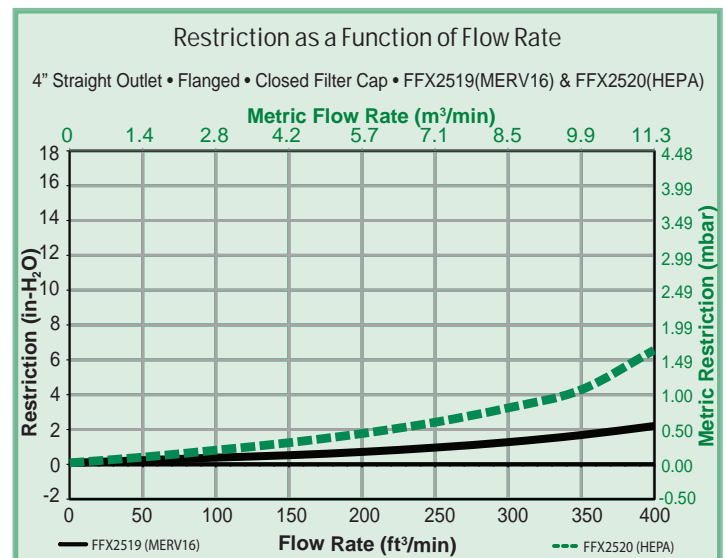


4-inch Outlet shown.



SCFM Airflow at 2" of Restriction:
FFX2517: 342 SCFM
FFX2518: 225 SCFM

SCFM Airflow at 4" of Restriction:
FFX2517: 425 SCFM
FFX2518: 338 SCFM

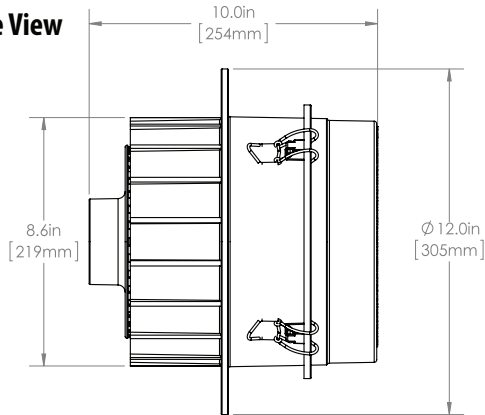


SCFM Airflow at 2" of Restriction:
FFX2519: 390 SCFM
FFX2520: 225 SCFM

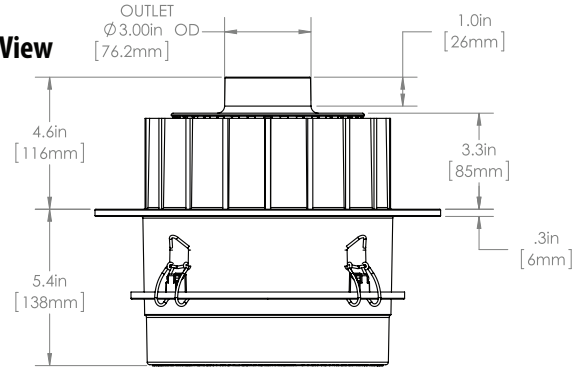
SCFM Airflow at 4" of Restriction:
FFX2519: 470 SCFM
FFX2520: 344 SCFM

RESPA[®] FFX2 Systems • Flanged Bracket; Straight Outlet; Closed Filter Cap.
FFX2517 & FFX2518 • 3-inch Outlet

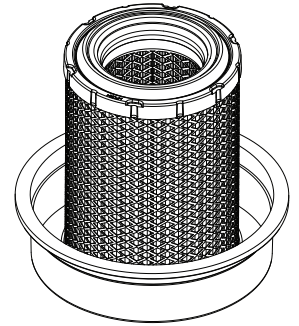
Side View



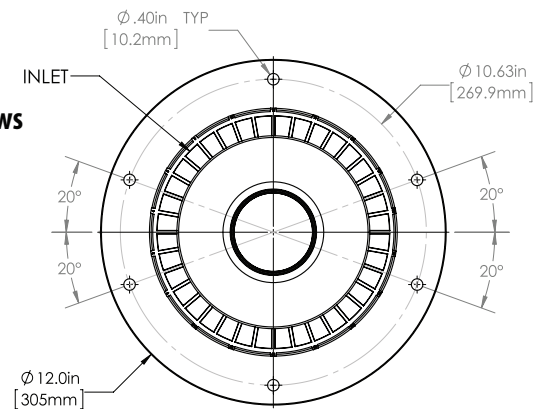
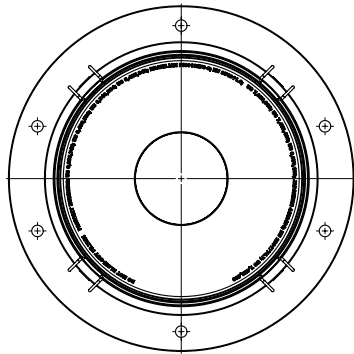
Bottom View



**FEFF110 or FFEF111
Closed Filter**

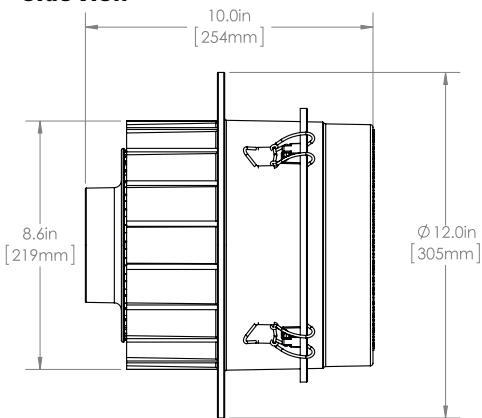


End Views

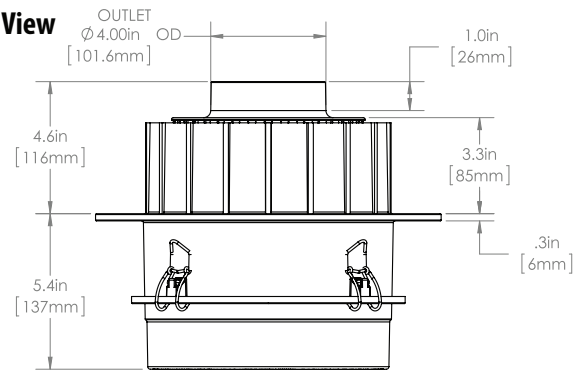


FFX2519 & FFX2520 • 4-inch Outlet

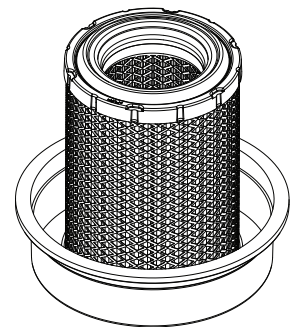
Side View



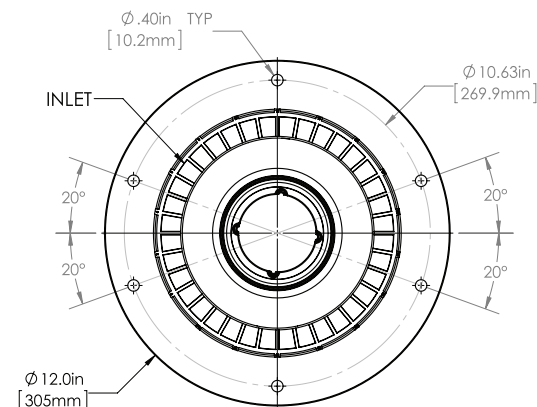
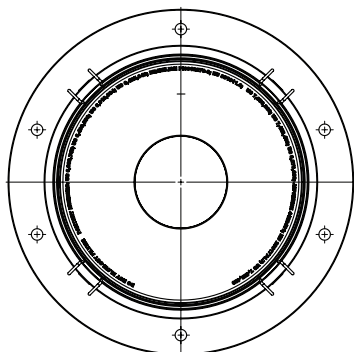
Bottom View



**FEFF110 or FFEF111
Closed Filter**



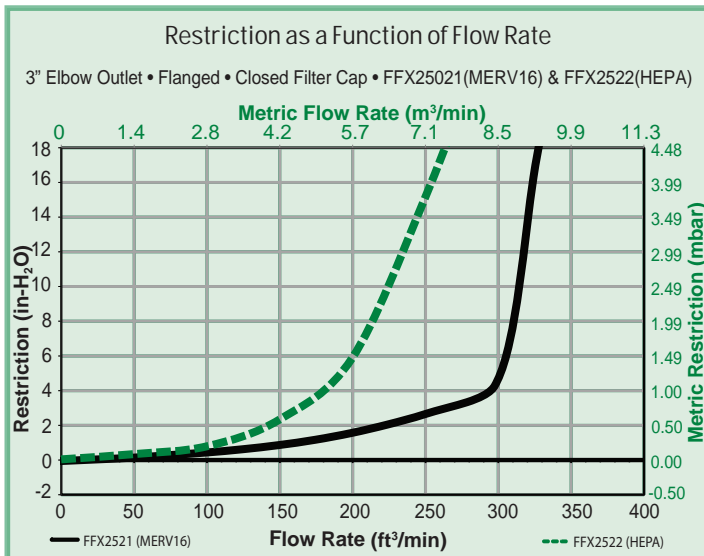
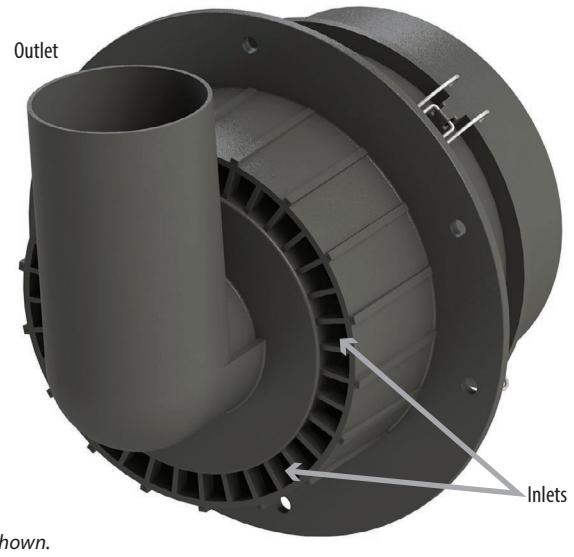
End Views



RESPA® FFX2 Systems • Flanged Bracket; 90° Elbow Outlet; Closed Filter Cap.

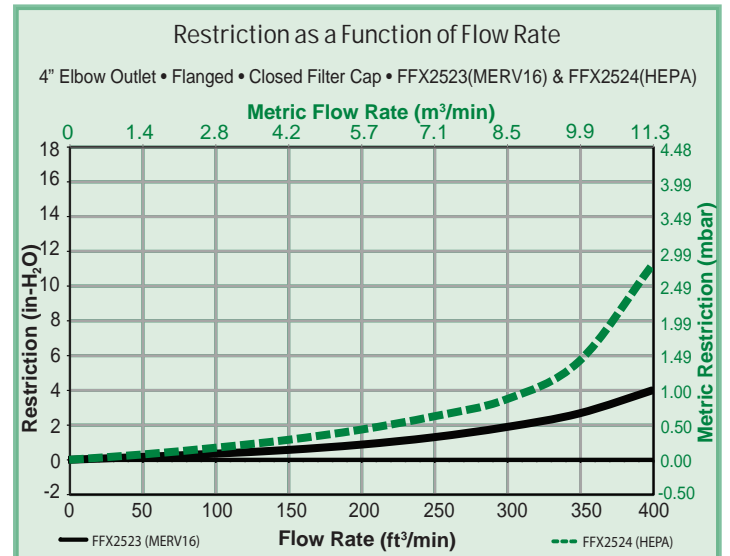
Part Number	Outlet Diameter (OD)	Unit Weight		Unit Dimensions (IN, MM)			Filter Part Number	Filter Type MERV16/HEPA
		LBS	KG	Length	Width	Height		
FFX2521	3 in. 76.2mm	3.6	1.63	11.7in 297.2mm	12in 304.8mm	12in 304.8mm	FEFF111	MERV16
FFX2522	3 in. 76.2mm	3.6	1.63	11.7in 297.2mm	12in 304.8mm	12in 304.8mm	FEFF110	HEPA
FFX2523	4 in. 101.6mm	3.9	1.77	12.7in 322.6mm	12in 304.8mm	12in 304.8mm	FEFF111	MERV16
FFX2524	4 in. 101.6mm	3.9	1.77	12.7in 322.6mm	12in 304.8mm	12in 304.8mm	FEFF110	HEPA

*Additional 7.5 inches (191 mm) required for filter removal. **8.75" (222.3mm) diameter hole for mounting.



SCFM Airflow at 2" of Restriction:
FFX2521: 220 SCFM
FFX2522: 140 SCFM

SCFM Airflow at 4" of Restriction:
FFX2521: 295 SCFM
FFX2522: 182 SCFM

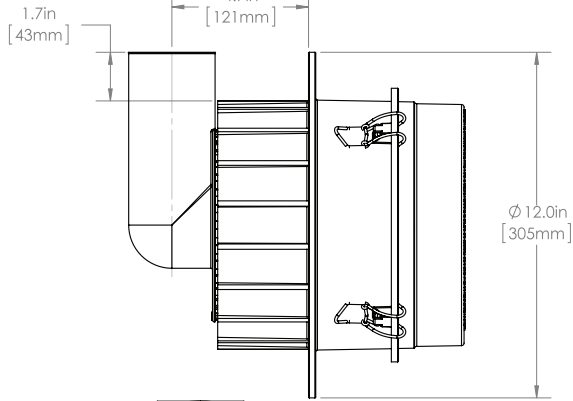


SCFM Airflow at 2" of Restriction:
FFX2523: 310 SCFM
FFX2524: 220 SCFM

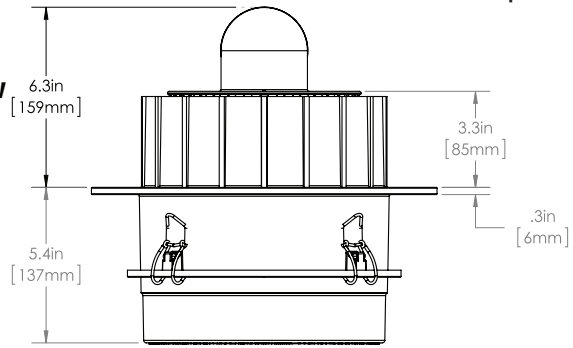
SCFM Airflow at 4" of Restriction:
FFX2523: 400 SCFM
FFX2524: 318 SCFM

RESPA[®] FFX2 Systems • Flanged Bracket; 90° Elbow Outlet; Closed Filter Cap.
FFX2521 & FFX2522 • 3-inch Outlet

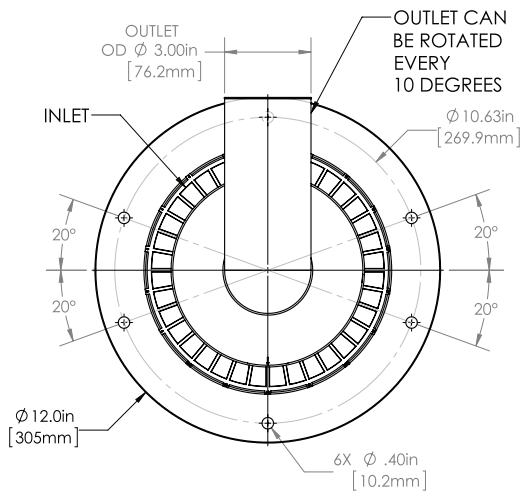
Side View



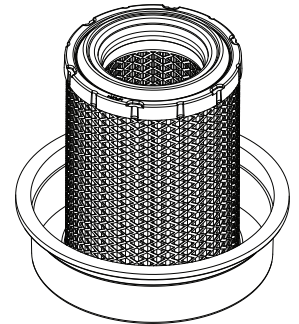
Bottom View



End Views

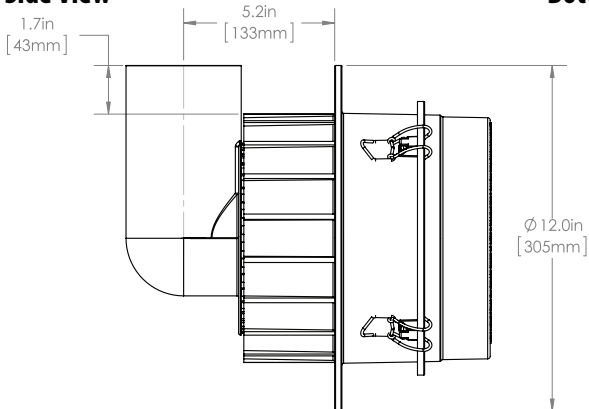


**FEFF110 or FFEF111
Closed Filter**

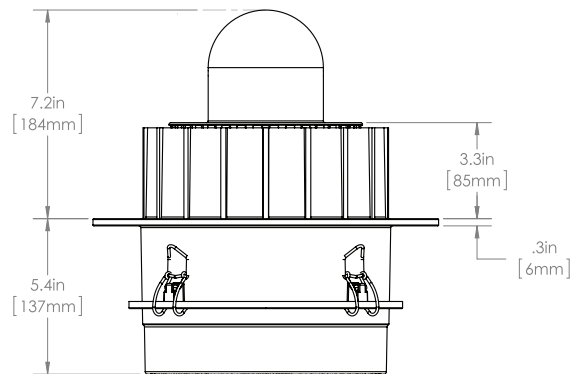


FFX2523 & FFX2524 • 4-inch Outlet

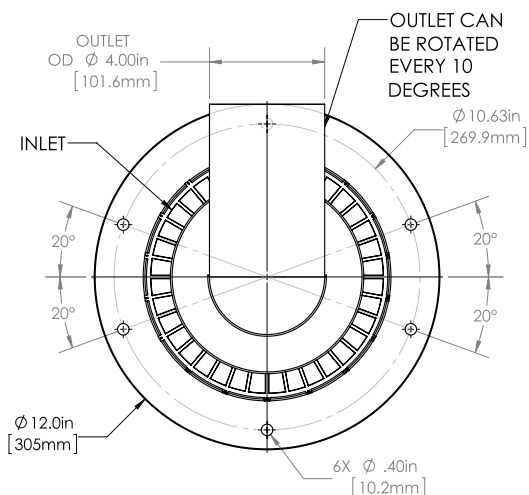
Side View



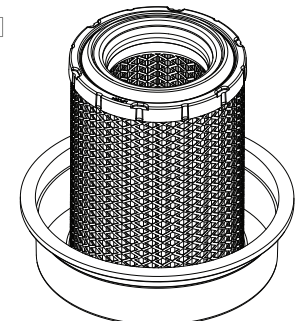
Bottom View



End Views



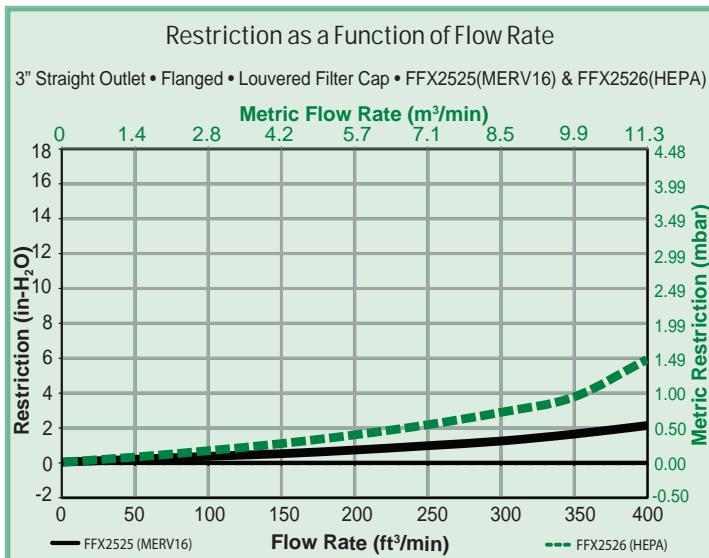
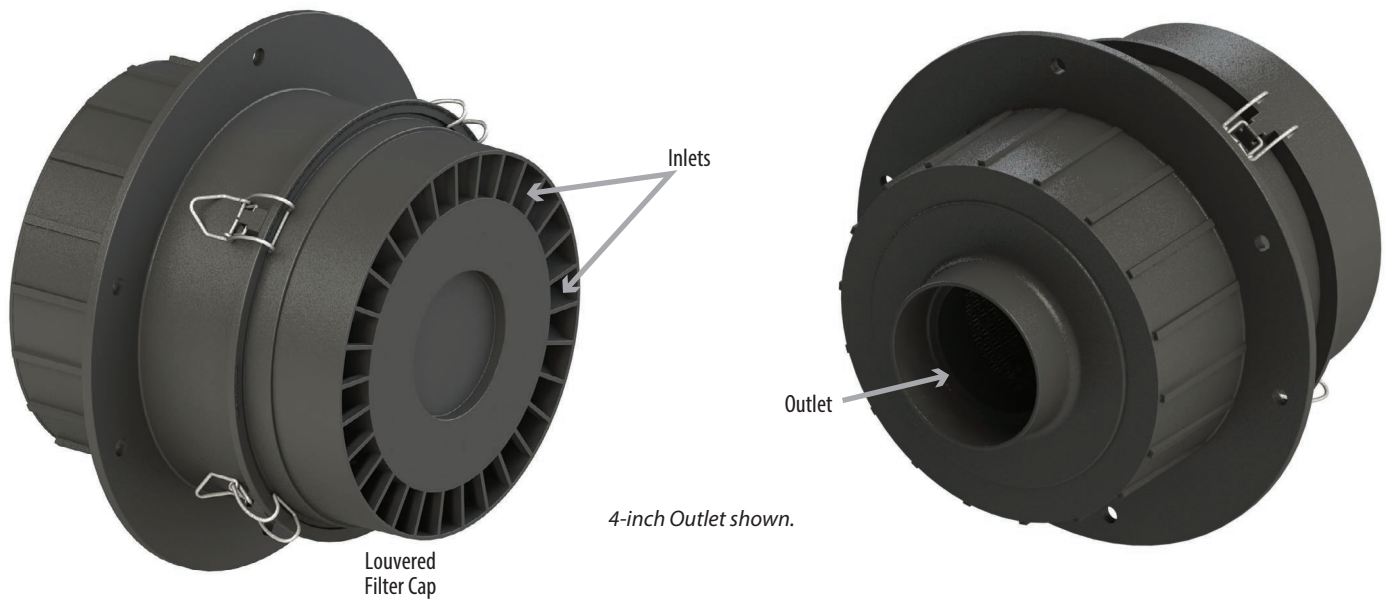
**FEFF110 or FFEF111
Closed Filter**



RESPA® FFX2 Systems • Flanged Bracket; Straight Outlet; Louvered Filter Cap.

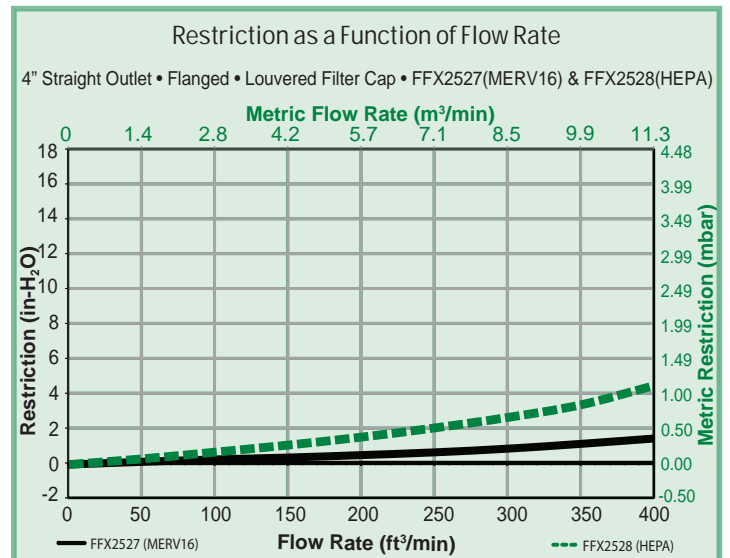
Part Number	Outlet Diameter (OD)	Unit Weight		Unit Dimensions (IN, MM)			Filter Part Number	Filter Type
		LBS	KG	Length	Width	Height		
FFX2525	3 in. 76.2mm	3.4	1.54	10in 254mm	12in 304.8mm	12in 304.8mm	FEFF120	MERV16
FFX2526	3 in. 76.2mm	3.4	1.54	10in 254mm	12in 304.8mm	12in 304.8mm	FEFF122	HEPA
FFX2527	4 in. 101.6mm	3.4	1.54	10in 254mm	12in 304.8mm	12in 304.8mm	FEFF120	MERV16
FFX2528	4 in. 101.6mm	3.4	1.54	10in 254mm	12in 304.8mm	12in 304.8mm	FEFF122	HEPA

*Additional 7.5 inches (191 mm) required for filter removal. **8.75" (222.3mm) diameter hole for mounting.



SCFM Airflow at 2" of Restriction:
 FFX2525: 400 SCFM
 FFX2526: 237 SCFM

SCFM Airflow at 4" of Restriction:
 FFX2525: 475 SCFM
 FFX2526: 355 SCFM

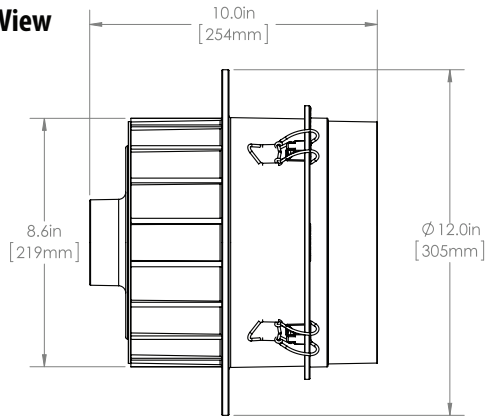


SCFM Airflow at 2" of Restriction:
 FFX2527: 420 SCFM
 FFX2528: 240 SCFM

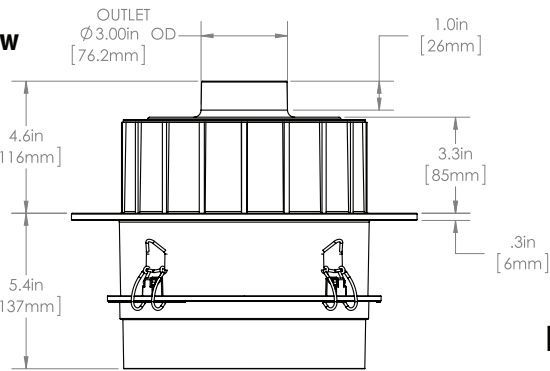
SCFM Airflow at 4" of Restriction:
 FFX2527: 480 SCFM
 FFX2528: 375 SCFM

RESPA® FFX2 Systems • Flanged Bracket; Straight Outlet; Louvered Filter Cap.
FFX2525 & FFX2526 • 3-inch Outlet

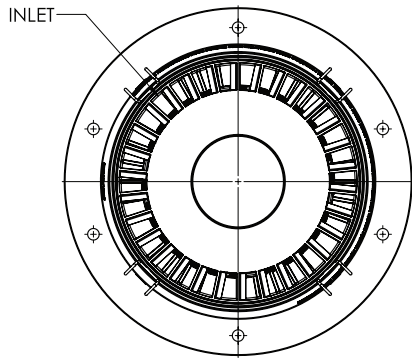
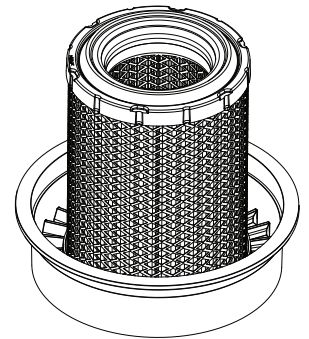
Side View



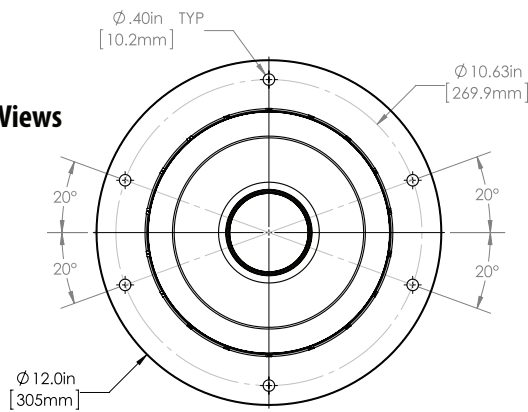
Bottom View



Louvered Filter
FEFF1120 or FFEF122

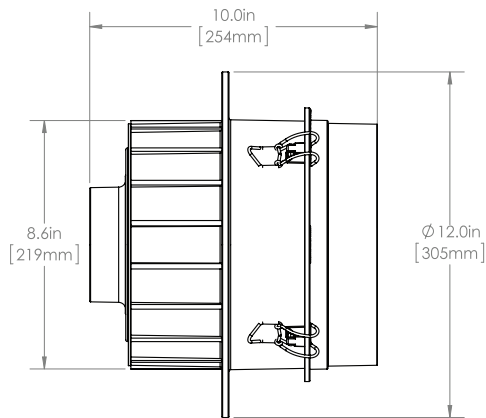


End Views

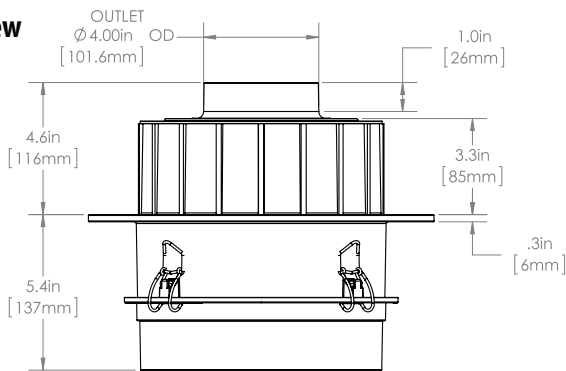


FFX2527 & FFX2528 • 4-inch Outlet

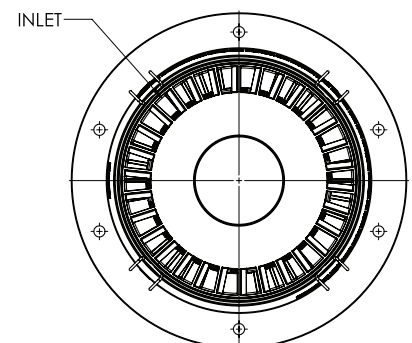
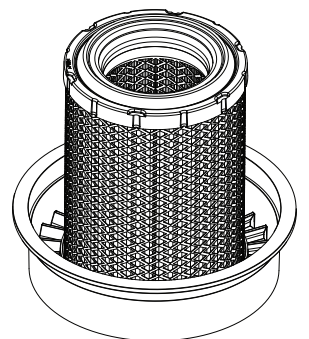
Side View



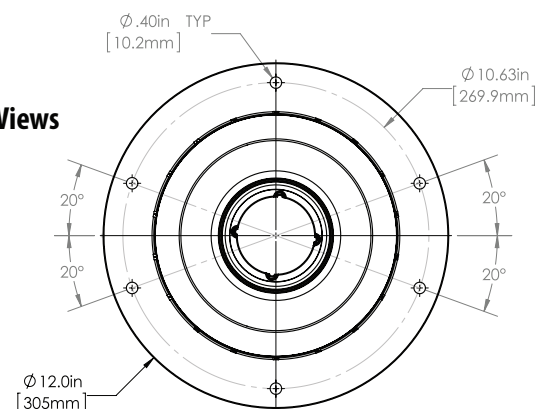
Bottom View



Louvered Filter
FEFF1120 or FFEF122



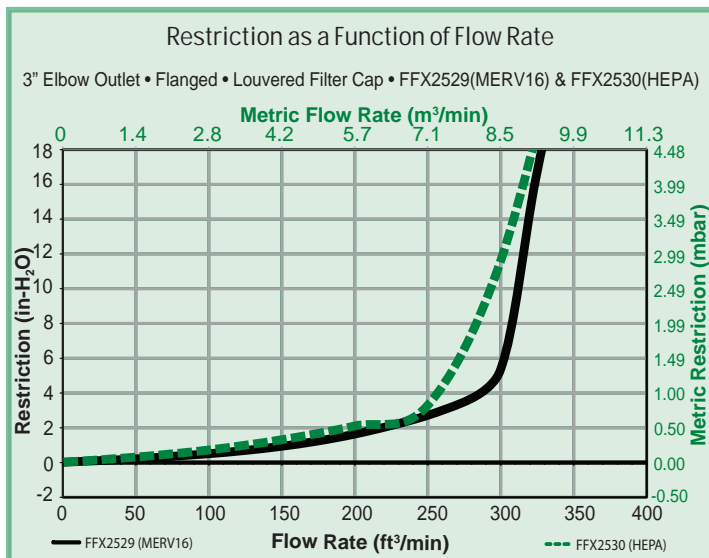
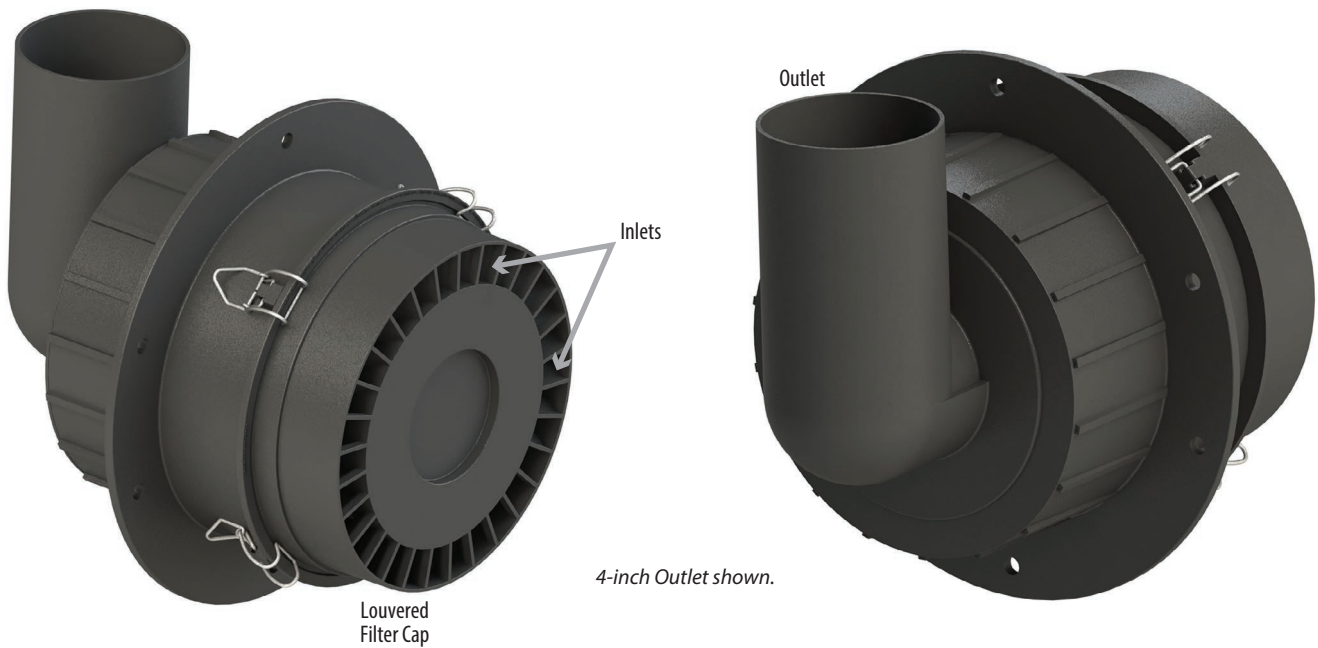
End Views



RESPA® FFX2 Systems • Flanged Bracket; 90° Elbow Outlet; Louvered Filter Cap.

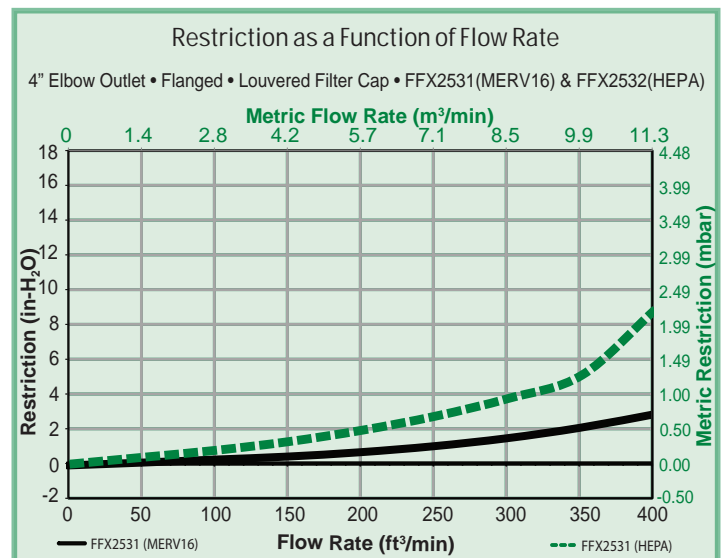
Part Number	Outlet Diameter (OD)	Unit Weight		Unit Dimensions (IN, MM)			Filter Part Number	Filter Type
		LBS	KG	Length	Width	Height		
FFX2529	3 in. 76.2mm	3.6	1.63	11.7in 297.2mm	12in 304.8mm	12in 304.8mm	FEFF120	MERV16
FFX2530	3 in. 76.2mm	3.6	1.63	11.7in 297.2mm	12in 304.8mm	12in 304.8mm	FEFF122	HEPA
FFX2531	4 in. 101.6mm	3.8	1.72	12.7in 322.6mm	12in 304.8mm	12in 304.8mm	FEFF120	MERV16
FFX2532	4 in. 101.6mm	3.8	1.72	12.7in 322.6mm	12in 304.8mm	12in 304.8mm	FEFF122	HEPA

*Additional 7.5 inches (191 mm) required for filter removal. **8.75" (222.3mm) diameter hole for mounting.



SCFM Airflow at 2" of Restriction:
FFX2529: 230 SCFM
FFX2530: 195 SCFM

SCFM Airflow at 4" of Restriction:
FFX2529: 300 SCFM
FFX2530: 257 SCFM

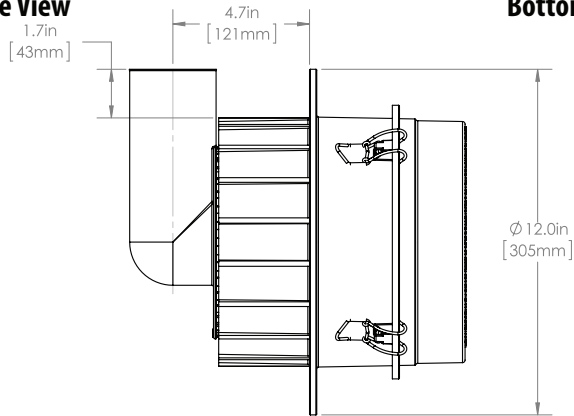


SCFM Airflow at 2" of Restriction:
FFX2531: 338 SCFM
FFX2532: 200 SCFM

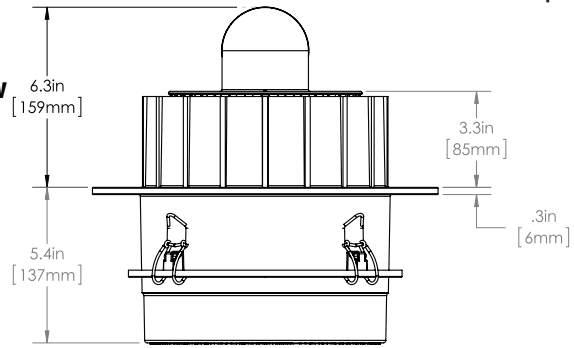
SCFM Airflow at 4" of Restriction:
FFX2531: 420 SCFM
FFX2532: 310 SCFM

RESPA® FFX2 Systems • Flanged Bracket; 90° Elbow Outlet; Louvered Filter Cap.
FFX2529 & FFX2530 • 3-inch Outlet

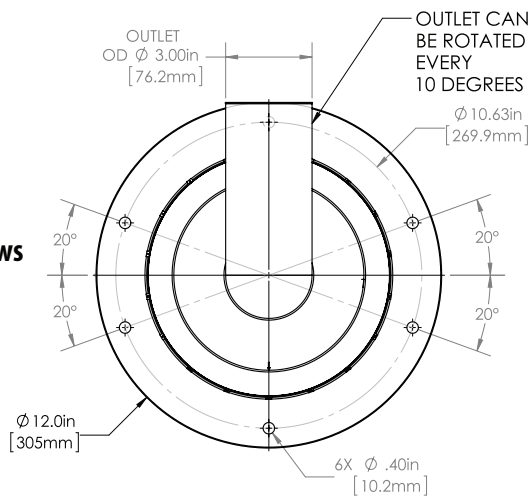
Side View



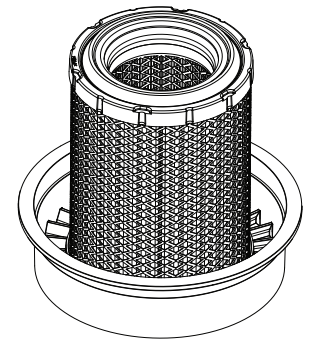
Bottom View



End Views

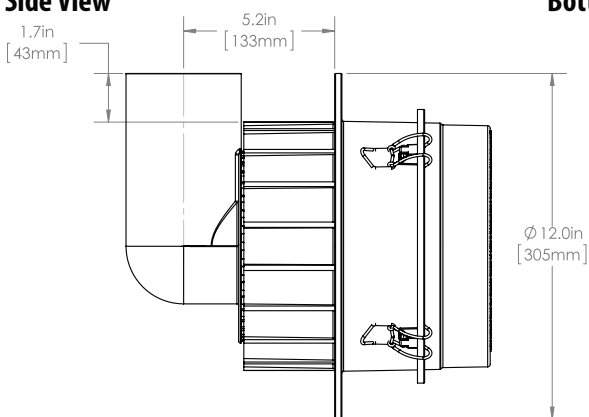


Louvered Filter
FEFF1120 or FFEF122

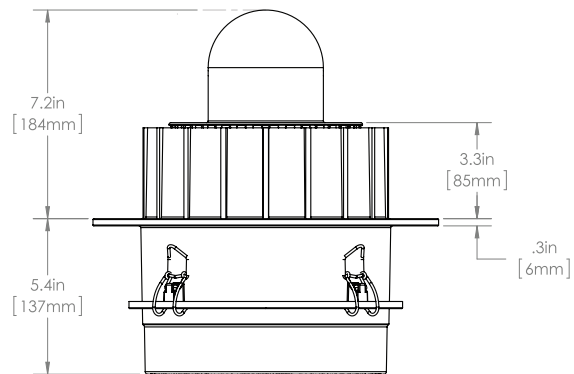


FFX2531 & FFX2532 • 4-inch Outlet

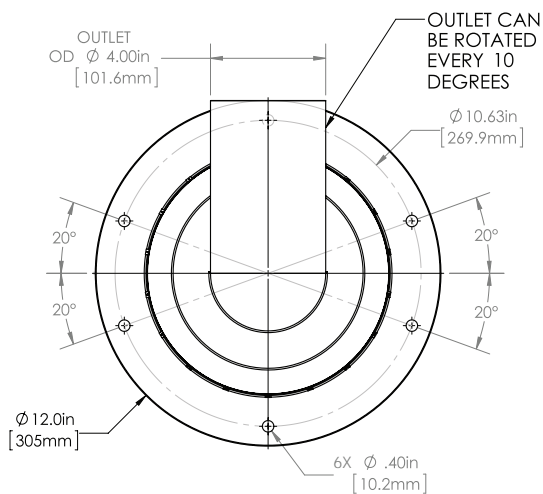
Side View



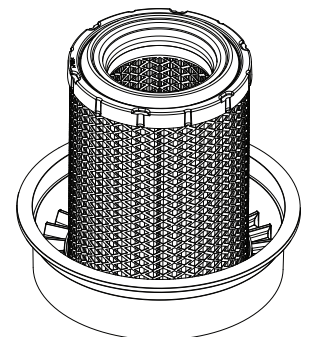
Bottom View



End Views



Louvered Filter
FEFF1120 or FFEF122



RESPA® FFX2 Service Parts

Part Number	FFX2 Service Parts
FFX2951	FFX2 3-INCH STRAIGHT OUTLET
FFX2952	FFX2 4-INCH STRAIGHT OUTLET
FFX2953	FFX2 3-INCH 90° ELBOW OUTLET
FFX2954	FFX2 4-INCH 90° ELBOW OUTLET
FFX2955	FFX2 INLET COVER
FFX2956	FFX2 FLANGE BODY HOUSING
FFX2957	FFX2 FOOTED BODY HOUSING



90 degree Elbow Outlet

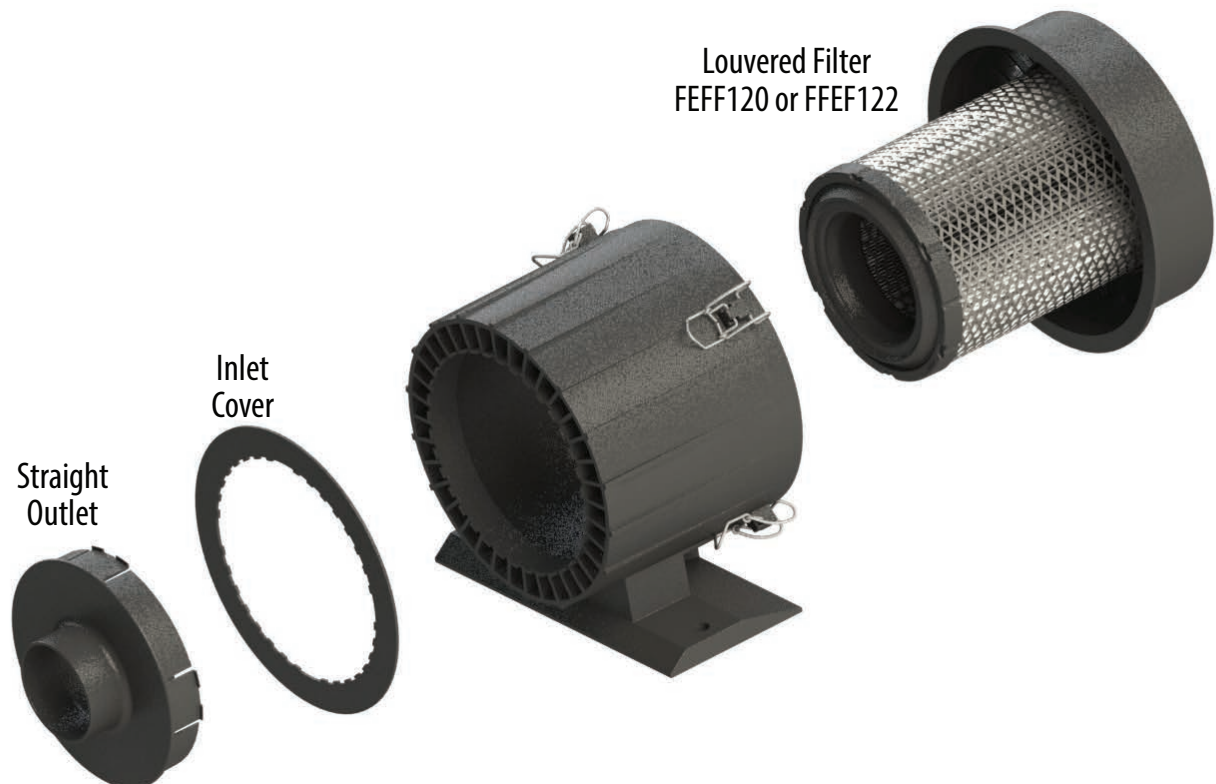


Straight Outlet



Inlet Cover
(Covers Louvers on Outlet End)

RESPA® FFX2 Service Parts: Exploded Diagrams



RESPA® FFX2 Filter Change Instructions

